

8CH Digital Disk Recorder
WJ-HD220
8 camera inputs



Optional Accessories
FTP Viewer Software
WV-AS20
Daisy Chain Connection
WV-CA48/10K (Cable Kit)
WV-CA48/50 (Cable)
WV-CA48/JN (Junction Unit)



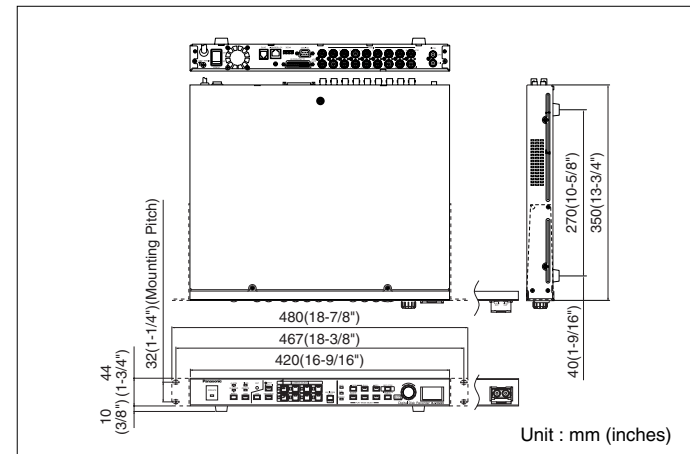
PS•Data

KEY FEATURES

- Built-in 160GB HDD in one unit.
- Built-in 8ch multiplex frame switching system.
- Coaxial cabling supports direct control of 1-4ch Panasonic PTZ cameras with optional WV-CU650/WV-CU360C.
- Selectable SIF mode recording for 2x disk saving.
- 10Base-T/100Base-TX network interface capability for remote monitoring.
- Supported Protocol: TCP/IP, HTTP, FTP, SMTP, SNMP, DNS and DDNS.
- Optional FTP Viewer Software; WV-AS20 is available.
- Four way JPEG compression recording modes selectable.
- Built-in 8ch Video Motion Detector function.
- Independent monitor outputs for Spot and 4/8 multi-screen.
- Max. 5 seconds pre-alarm recording function.
- Alarm list search using date, time and camera channel to list up to 9,999 alarm logs.
- Time & Date can be embedded in the JPEG image.
- Remote control by PC with RS-232C devices, and RS-485 chain by PS-Data link with optional System Controllers ; WV-CU650/WV-CU360C.
- 1ch Audio input / output.
- 1ch Video / Audio output for recording images to on optional Time Lapse VCR.
- The OSD Setup, installation menus and HTML can be displayed in seven languages: English, German, French, Italian, Spanish, Russian*, and Chinese*.

*Russian and Chinese in HTML only

DIMENSIONS



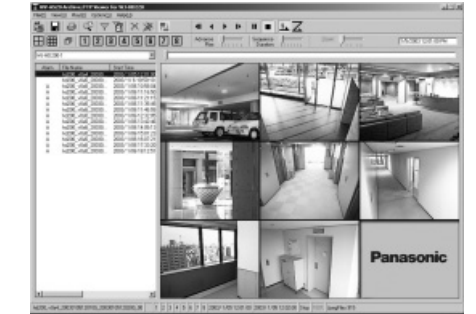
SPECIFICATIONS

| | |
|-------------------------------|---|
| General | |
| Power Source Required | 120 V AC, 60 Hz |
| Power Consumption | 45 W |
| Ambient Operating Temperature | +5 °C - +45 °C (41 °F - 113 °F) |
| Ambient Operating Humidity | Less than 85 % |
| Dimensions | 420 mm (W) x 44 mm (H) x 350 mm (D) [16-9/16" (W) x 3-7/16" (H) x 13-3/4" (D)] |
| Weight | 5.2 kg (11.4 lbs.) |
| Input | |
| Video Input | 1.0 V[p-p]/75 Ω Composite video signal with 75 Ω Automatic Termination / Looping through (x8) |
| Audio Input | -10 dB 10 kΩ unbalanced, RCA standard jack |
| Image Process | |
| Compression System | JPEG |
| Pixel Rate | Normal: 720H x 240V (Effective pixels 672H x 224V) SIF: 352H x 240V |
| Refresh Rate | 30 ips maximum |
| Output | |
| Video Output | 1.0 V[p-p]/75 Ω Composite video signal/Looping through (x8) |
| Video Output Front Panel | 1.0 V[p-p]/75 Ω Composite video signal (x1) |
| Audio Output | -10 dB 600 Ω unbalanced, RCA standard jack (x1) |
| Audio Output Front Panel | -10 dB 600 Ω unbalanced, RCA standard jack (x1) |
| Spot Monitor Output | 1.0 V[p-p]/75 Ω Composite video signal (x1) |
| Multiscreen Monitor Output | 1.0 V[p-p]/75 Ω Composite video signal (x1) |
| Control Port | |
| Alarm/Remote Port | 25-pin Full Pitch D-sub connector (x1) Alarm Input 1-8, Alarm Reset Input, EXT REC Input, Time Adjust Input, Sequence Input: Low-active, Non-voltage N.O. Contact, ≥100 ms Alarm Recovery Output 1, Disk End Status Output, Time Adjust Output, Warning Output, REC Status Output, Sequence Output: Low-active, Open-collector, 24 V DC 100 mA max. Alarm Output 1, Play Status Output: Low-active, Open-collector, 12 V DC 100 mA max. Alarm Output 2: High-active, 12 V 4.7 kΩ Alarm Recovery Output 2: High-active, 12 V DC 220 Ω |
| RS-485 (PS • Data) | 6-conductor modular jack (RJ-11) |
| RS-232C | 9-pin D-sub connector |
| 10/100BASE-TX Port | 10Base-T and 100Base-TX, 8-conductor modular jack (RJ-45) Protocol Installed: TCP/IP, HTTP, FTP, SMTP, SNMP, DNS, DDNS Security: Password-protected |
| Hard Disk Drive | |
| Built-in | 160GB x 1 |

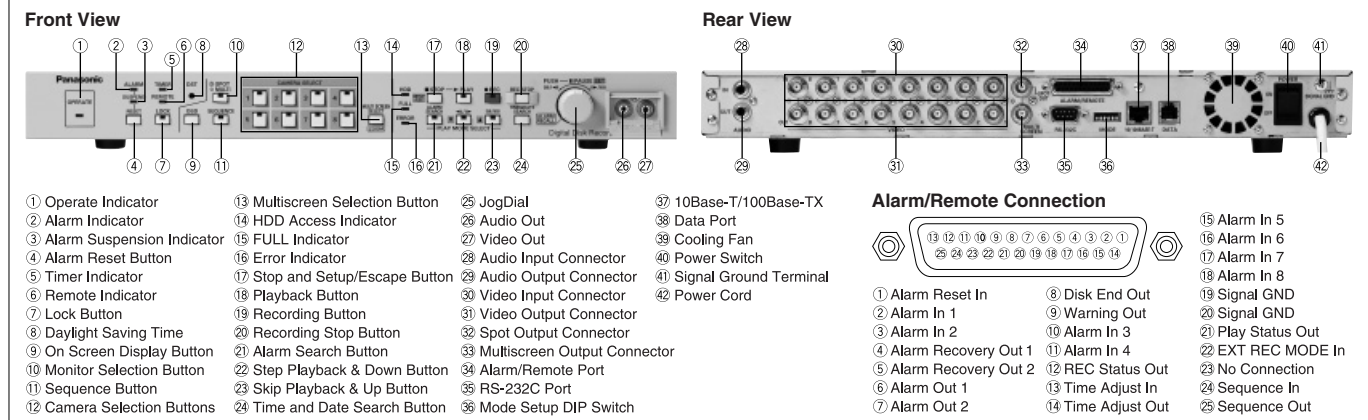
FTP Viewer Software WV-AS20 (optional)

Installation of the optional WV-AS20 software allows you to download image data stored in the WJ-HD220 Series.

- Up to 10 WJ-HD220 Digital Disk Recorders can be registered.
- Images can be automatically downloaded at pre-set times.
- The zoom feature enlarges images up to 5x.



MAJOR OPERATING CONTROLS



SYSTEM EXAMPLES

