

High Resolution B/W Camera

# WV-BP330 Series

WV-BP330 (AC220V - 240V)

WV-BP332 (DC12V)

WV-BP334 (AC24V)



Lens: optional



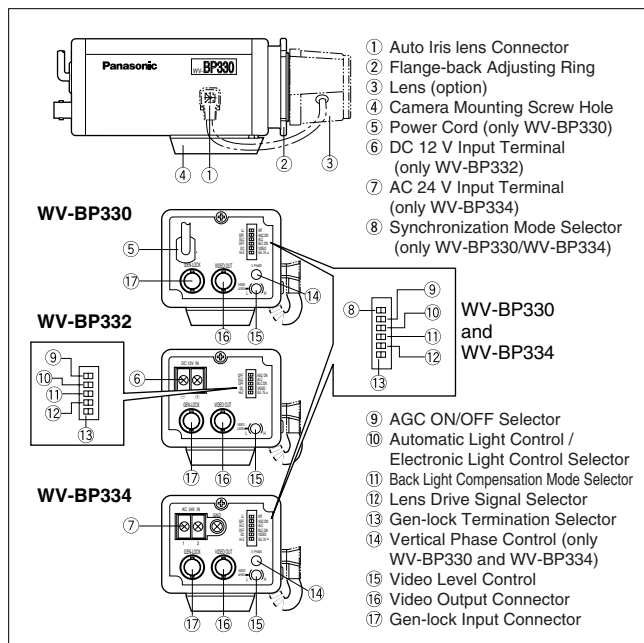
## KEY FEATURES

- 1/3-type CCD pick-up element with 768 (H) x 582 (V) pixels provides a high 570 TV lines of horizontal resolution.
- Vertical digital 2H enhancement and digital aperture correction improves signal strength at the horizontal and vertical edges to provide a crisper images.
- Advanced digital adaptive backlight compensation (BLC) capability.
- Knee circuit effectively expands the dynamic range when viewing brightly illuminated objects.
- Outstanding 50dB of signal-to-noise ratio provides natural images.
- Minimum scene illumination of 0.08 lux at F1.4, and 0.06 lux at F1.2 optional lens
- A specially developed lens mount configuration accepts both C and CS mount lenses, as well as both DC and Video voltage for ALC lenses.
- An advanced Electronic Light Control (ELC) enables the use of inexpensive fixed iris lenses for more cost effective systems.
- Gen-lock capability for system expandability, and other a variety of synchronization modes (Line-Lock, VD2, Internal).
- Accepts C-and CS-mount lenses.

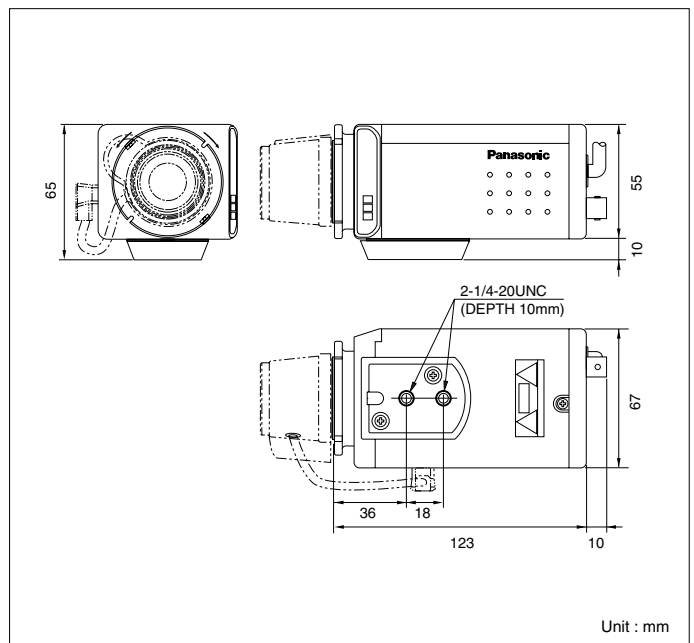
## SPECIFICATIONS

Models No.	WV-BP330	WV-BP332	WV-BP334
Pick-up Device	768 (H) x 582 (V) pixels, Interline Transfer CCD		
Scanning Area	4.9 (H) x 3.7 (V) mm (Equivalent to scanning area of 1/3" pick-up tube)		
Synchronization	Internal, External, Line-locked or Multiplexed vertical drive (VD2) selectable		
Scanning System	2:1 interlace		
Scanning	625 lines/50 fields/25 frames Horizontal:15.625 kHz, Vertical:50 Hz		
Horizontal Resolution	570 TV lines		
Video Output	1.0 V [p-p] CCIR composite 75 Ω / BNC connector		
Signal-to-Noise Ratio	50dB (AGC OFF)		
Electronic Light Control	Equivalent to continuous variable shutter speed between 1/50 s and 1/10,000 s		
Minimum Illumination	0.08 lux at F1.4, and 0.06 lux at F1.2 optional lens		
Backlight Compensation	Adapted auto backlight compensation On/Off selectable		
Lens Mount	C-mount or CS-mount selectable		
Ambient Operating Temperature	-10°C - +50°C		
Ambient Operating Humidity	Less than 90 %		
Power Source	220-240 V AC 50 Hz	12 V DC	24 V AC 50 Hz
Power Consumption	4.5 W	250 mA	3.5 W
Dimensions (W x H x D)	67 x 65 x 133 mm (without lens)		
Weight (without lens)	635 g	445 g	470 g

## MAJOR OPERATING CONTROLS



## DIMENSIONS



1/3" TYPE SERIES

IMAGE CAPTURE

PROCESSING

RECORDING/ARCHIVING

VIEWING