



Metal Body Day/Night Fixed Dome Camera with advanced features

Key Features

- High resolution: 540 TV lines
- High sensitivity with Simple Day/Night function: 0.9 lux (PAL with clear dome cover), 1.8 lux (NTSC with smoke dome cover), at F1.3 (Wide)
- ABS (Adaptive Black Stretch) enhances visibility of dark area without degrading image quality in bright area.
- ABF (Auto Back Focus) ensures easy installation.
- Various adjustment features including BLC (Back-Light Compensation), ATW (Auto Tracing White Balance) and ALC (Automatic Light Control)
- 2.8 ~ 10 mm 3.6x Varifocal Auto Iris lens
- Internal/Multiplexed Vertical Drive (VD2) synchronization: Multiple cameras can easily be synchronized by using VD2 (Vertical timing pulse).
- Monitor output and ELC mode for easier lens adjustment upon installation
- 3-way hinge (horizontal, vertical and swivel rotation) for flexible installation

- Smart look fits for various applications such as shopping mall, hotels and hospitals.
- Heavy duty Metal body ensures 24/7 operation.

Standard Accessory

Operating Instructions 1 pc.

Optional Accessories

Clear Dome Cover
WV-NF5C
(NTSC only)



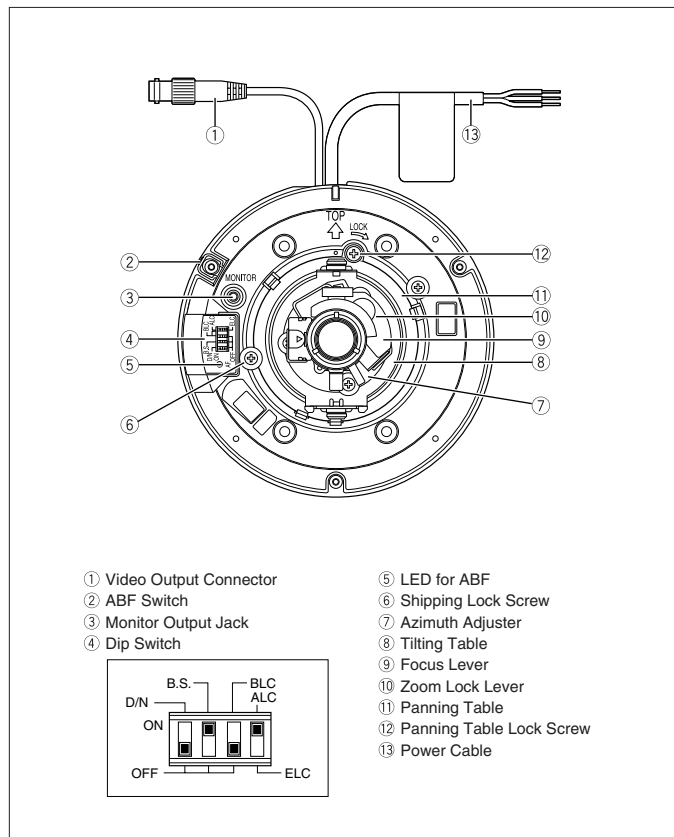
Smoke Dome Cover
WV-NF5S
(PAL only)



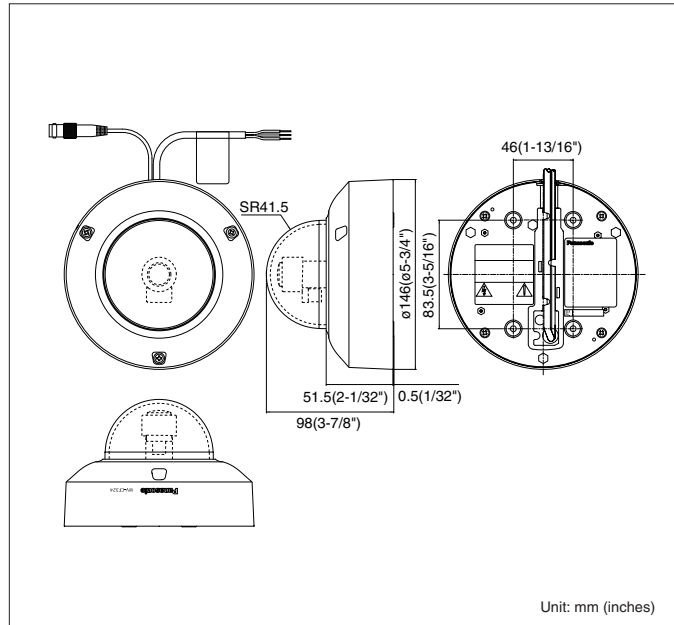
Specifications

TV System	NTSC	PAL
Camera	1/4 inch interline transfer CCD	
Effective Pixels	768 (H) x 494 (V)	752 (H) x 582 (V)
Scanning Mode	2:1 interlace scan	
Scanning Area	3.6 (H) x 2.7 (V) mm	3.7 (H) x 2.7 (V) mm
Scanning Frequency	Horizontal: 15.734 kHz Vertical: 59.94 Hz	Horizontal: 15.625 kHz Vertical: 50 Hz
Scanning Line	525 lines	
Horizontal Resolution	540 TV lines	
Minimum Illumination	Color (30 IRE): 1.8 lux at F1.3 Wide (Smoke dome cover) Will be same as PAL spec with WV-NF5C optional clear dome cover	Color (30 IRE): 0.9 lux at F1.3 Wide (Clear dome cover)
Signal-to-Noise Ratio	50 dB (equivalent to AGC Off, Weight On)	
White Balance	ATW	
Light Control	ALC / ELC (for lens adjustment)	
AGC	Always ON	
Adaptive Black Stretch	ON / OFF with BLC ON / OFF	
Black and White Mode	ON (Auto) / OFF (No IR filter moving)	
Back Focus Adjustment	ABF	
Synchronization	Internal (INT), Multiplexed Vertical Drive (VD2)	
Lens	Focal Length: 2.8 ~ 10 mm	
Angular Field of View	H: 73.5° (Wide) ~ 20.8° (Tele) V: 54.4° (Wide) ~ 15.6° (Tele)	
Maximum Aperture Ratio	1:1.3 (Wide) 1:3.1 (Tele)	
Focusing Range	1.2 m ~ ∞ (3.9 ft. ~ ∞)	
Pan and Tilt	Panning Range: +180° ~ -140°	
Tilting Range	±75°, Image tilt adjustment range: ±100°	
Input/Output	Video Output: 1.0 V [p-p] / NTSC composite 75 Ω / BNC Connector Multiplexed VD2 capable / 1.0 V [p-p] / PAL composite 75 Ω / BNC Connector Multiplexed VD2 capable	
Monitor Output	1.0 V [p-p] / 75 Ω / NTSC composite signal / ø3.5 mm RCA jack / 1.0 V [p-p] / 75 Ω / PAL composite signal / ø3.5 mm RCA jack	
General	Setup Method: Dip Switch	
Safety/EMC Standard	UL (6500), FCC (Part15 ClassA), C-UL (E60065), DOC (ICES003 ClassA)	CE (EN60065, EN55022 ClassB, EN55024)
Power Source and Power Consumption	12 V DC, 220 mA / 24 V AC 60 Hz, 2.7 W	12 V DC, 220 mA / 24 V AC 50 Hz, 2.7 W
Ambient Operating Temperature	-10 °C ~ +50 °C (14 °F ~ 122 °F)	
Ambient Operating Humidity	90 % or less (without condensation)	
Dimensions	ø146 mm x 98 mm (H) (ø5-3/4" x 3-7/8" (H))	
Weight (approx.)	750 g (1.65 lbs.)	

Part Names and Functions



Appearance



- All TV pictures are simulated.
- Weights and dimensions are approximate.
- Specifications are subject to change without notice.
- These products may be subject to export control regulations.
- All product pictures are NTSC models.

Important

– Safety Precaution: carefully read the operating instructions and installation manual before using this product.

DISTRIBUTED BY:

Panasonic®

<http://panasonic.net/security/>

Printed in Japan (2A-031AL)