



Simple large screen monitor for a cost effective CCTV solution

The WV-CK2020 is a cost effective CRT monitor. The 51 cm viewable size screen allows easier monitoring and multi-split screen when used with Panasonic digital recorders. With 500 TV lines of horizontal resolution even small details are clear and faithfully reproduced.

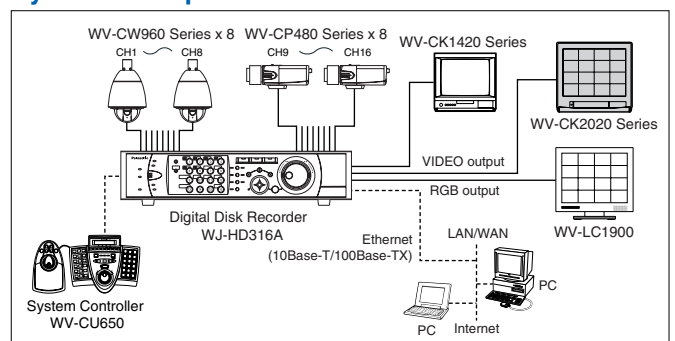
Key Features

- CRT size: 55 cm (21") diagonal
- Viewable size: 51 cm (20") diagonal
- Horizontal Resolution: 500 TV lines at center
- Scanning: Interlace, 8 % over scan (typical)
- Color temperature: 9,300 °K (NTSC), 6,500 °K (PAL)
- Composite Video input: 1x Composite Video Input (BNC) with auto termination loop through output (BNC)
- S-Video input: 1x S-Video input (NTSC only)
- Audio input: 1x -8 dB / Hi-Z, (RCA pin jack) with loop through output (RCA pin jack)
- Speaker: 0.7 W
- Adjustment using OSD setup menu: BRIGHT, CONTRAST, PICTURE, COLOR, TINT (NTSC only) by setup menu
- Multi-language setup menus: English, French, German
- Cost effective plastic cabinet

Standard Accessory

- Operating Instructions 1 pc.

System Example

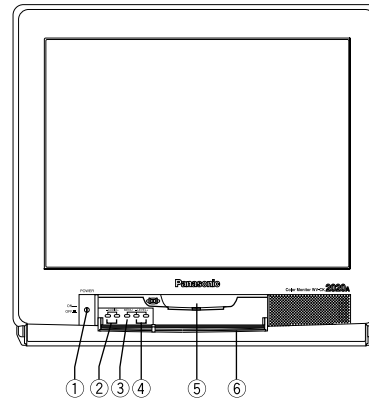


Specifications

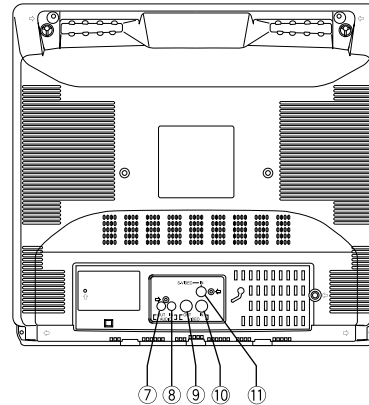
TV System	NTSC	PAL	
Display	CRT Size	55 cm (21") diagonal	
	Viewable Size	51 cm (20") diagonal	
	Horizontal Resolution	500 TV lines at center	
	Sweep Linearity	Horizontal: Less than 5 %, Vertical: Less than 5 %	
	Sweep Geometry	Less than 2 %	
	Scanning	Interlace, 8 % over scan (typical)	
	Color Temperature	9,300 °K	6,500 °K
	Input / Output	Composit Video Input	1x Composite Video Input (BNC) with auto termination loop through output (BNC)
S-Video Input		1x S-Video Input	
Audio Input		1x -8 dB / Hi-Z, (RCA pin jack) with loop through output (RCA pin jack)	
Speaker		0.7 W	
Controls	Adjustment	BRIGHT, CONTRAST, PICTURE, COLOR, TINT (NTSC only) by setup menu	
	Setup Menu Language	English, French, German	
General	Safety/EMC Standard	UL (1492), FCC (Part15 ClassA), C-UL (No.1-94), DOC (ICES003 ClassA)	CE (EN60065, EN55022 ClassB, EN55024)
	Power Source	120 V AC, 60 Hz	220 - 240 V AC, 50 Hz
	Power Consumption	approx. 75 W	approx. 80 W
	Ambient Operating Temperature	-10 °C ~ +50 °C (+14 °F ~ +122 °F)	
	Ambient Operating Humidity	Less than 90 % (without condensation)	
	Dimensions (W x H xD)	509 mm x 467 mm x 480 mm (20-1/16" x 18-3/8" x 18-7/8")	
	Weight	21 kg (46.3 lbs.)	

Part Names and Functions

Front View

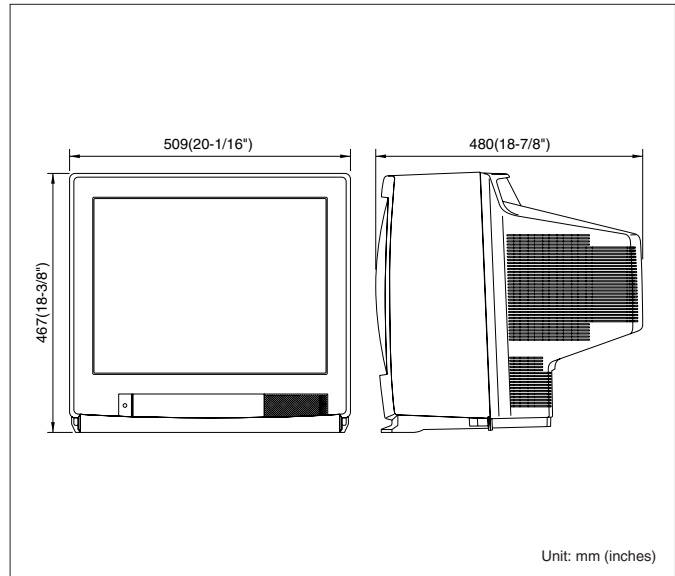


Rear View



- ① Power Switch
- ② Audio Control Buttons
- ③ Menu Button
- ④ Level Control Button
- ⑤ Power Indicator
- ⑥ Control Panel Cover
- ⑦ Audio Output Connector
- ⑧ Audio Input Connector
- ⑨ Video Output Connector
- ⑩ Video Input Connector
- ⑪ S-Video Input Connector (NTSC only)

Appearance



Important

- Safety Precaution: carefully read the operating instructions and installation manual before using this product.

DISTRIBUTED BY:

- All TV pictures are simulated.
- Weights and dimensions are approximate.
- Specifications are subject to change without notice.
- These products may be subject to export control regulations.
- All product pictures are NTSC models.

Panasonic[®]

<http://panasonic.net/security/>

Printed in Japan (2A-023AA)