

Lens : optional



New High-Performance DSP Superb Image Quality and Cost Performance Color Camera

The stylish new WV-CP280 Series color camera is equipped with a newly-developed DSP, providing improved image quality.

Utilizing the **Adaptive Black Stretch** technology, the DSP uses image processing to transform dark areas into natural, high contrast images in real time, while keeping crisp areas unchanged.

Horizontal resolution is 540 TV lines in color mode. Minimum illumination intensity is 0.8 lux in color mode with the F1.4 lens. This is due to the new DSP and the introduction of a new circuit. Signal-to-Noise ratio under low-light intensity has been improved. Furthermore, it is equipped with a Day/Night feature, allowing use in low-light situations*.

The camera is equipped with various features including Back Light Compensation (BLC), Automatic Light Control (ALC) and Electronic Light Control (ELC) for a wide-range of installation environments.

Three selectable synchronization modes include Internal, Line-locked and Multiplexed Vertical Drive (VD2) synchronization. The camera supports 120 V AC (WV-CP280) and 24 V AC/12 V DC (WV-CP284) power supplies.

With a host of new and improved features, the WV-CP280 Series is the ideal camera for offices, retail locations, restaurants and shopping malls.

* No IR filter shifting

KEY FEATURES

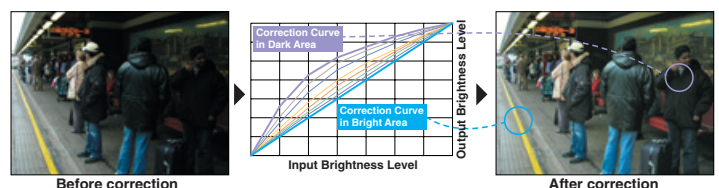
- 1/3-type CCD pick-up element featuring 768 (H) x 494 (V) pixels.
- Newly-developed Digital Signal Processor (DSP).
- Higher horizontal resolution of 540 TV lines in color mode.
- Adaptive Black Stretch feature transforms shadows and dark areas into natural and crisp images in real time.
- Minimum illumination of 0.8 lux in color mode with F1.4 optional lens.
- Day/Night function allows use in low light situations*.
- Accuracy improvement of Auto-Tracing White Balance (ATW).
- Back Light Compensation (BLC).
- Automatic Light Control (ALC).
- Electronic Light Control (ELC) enables the use of inexpensive fixed iris lenses for more cost effective systems.
- Line-lock capability for roll-free pictures during systems operation switching.
- VD2 sync capability with Panasonic system products.
- CS-mount lenses. DC-servo ALC lenses.
- WV-CP280 Camera Series:
 - WV-CP280: 120 V AC, 60 Hz
 - WV-CP284: 24 V AC, 60 Hz or 12 V DC

1/3-type Variable Focal Lenses (optional)

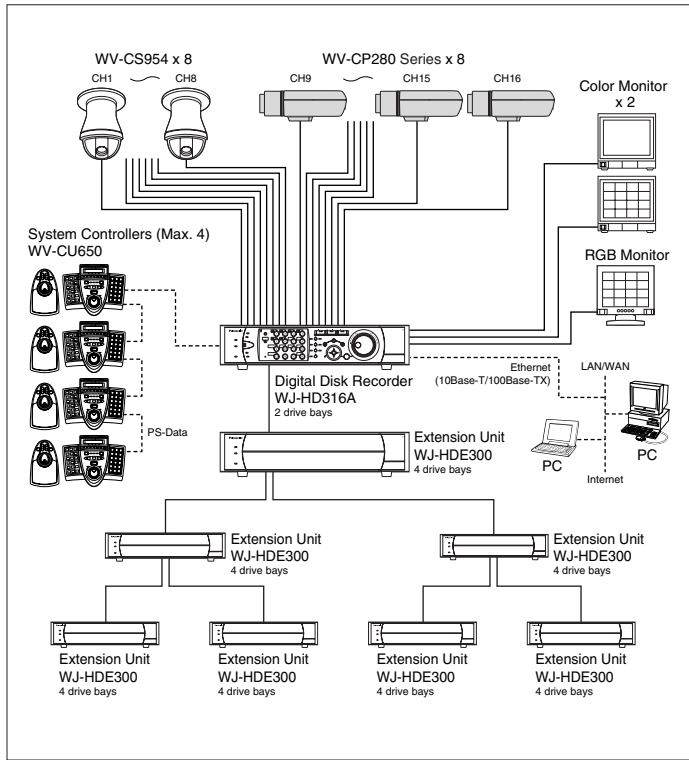


Newly-developed DSP utilizes the Adaptive Black Stretch technology

The DSP to automatically detect dark areas inside an image, applying the most suitable correction curve based on brightness data of areas surrounding the dark area. This image processing algorithm transforms shadows and dark areas into natural and crisp images in real time.



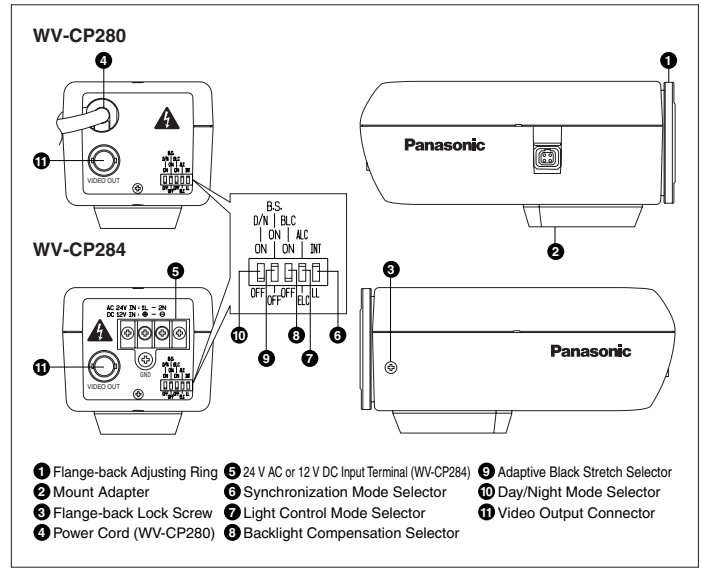
SYSTEM EXAMPLE



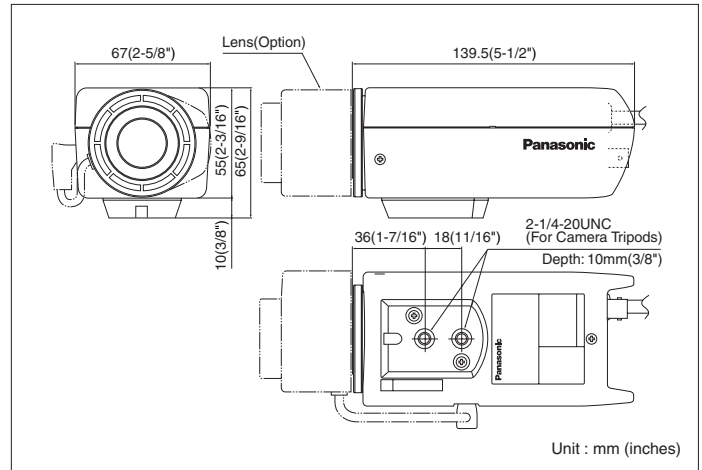
SPECIFICATIONS

Model No.	WV-CP280	WV-CP284
Camera	Image Sensor: 1/3-type interline transfer CCD Effective Pixels: 768 (H) x 494 (V) pixels Scanning Mode: 2:1 interlace scan Scanning Area: 4.9 (H) x 3.7 (V) mm Scanning Frequency: Horizontal: 15.734 kHz, Vertical: 59.94 Hz Scanning Line: 525 lines Horizontal Resolution: 540 TV lines (Color) Minimum Illumination: 0.8 lux at F1.4 Signal-to-Noise Ratio: 50 dB (Equivalent to AGC Off, weight On) White Balance: ATW AGC/GAIN: Always ON Light Control: ALC / ELC Adaptive Black Stretch: ON / OFF BLC: ON / OFF Synchronization: Internal (INT), Multiplexed Vertical Drive (VD2), Line-Lock (LL) Black and White Mode: ON / OFF (No IR filter shifting) Lens Mount: CS-mount	
Input/Output	Video Output: 1.0 V [p-p] / NTSC composite 75 Ω / BNC Connector Multiplexed VD2 capable	
General	Power Source and Power Consumption: 120 V AC 60 Hz, 3.4 W / 24 V AC 60 Hz, 2.7 W / 12 V DC, 220 mA Ambient Operating Temperature: -10 °C ~ +50 °C (14 °F ~ 122 °F) Ambient Operating Humidity: less than 90 % Dimensions (W x H x D): 67 mm x 65 mm x 139.5 mm (without lens) / (2-5/8" x 2-9/16" x 5-1/2") Weight (approx.): 510 g (1.12 lbs.) / 350 g (0.77 lbs.)	

MAJOR OPERATING CONTROLS & TERMINALS



APPEARANCE



Important

- Safety Precaution: carefully read the operating instructions and installation manual before using this product.

DISTRIBUTED BY:

- All TV pictures are simulated.
- Weights and dimensions are approximate.
- Specifications are subject to change without notice.
- These products may be subject to export control regulations.

Panasonic®

<http://panasonic.net/security/>

Printed in Japan (2P-544B)