

NTSC WV-CW244S (24 V AC or 12 V DC) <Smoke Dome Type>
PAL WV-CW240S (220 ~ 240 V AC) <Clear Dome Type>
 WV-CW244F (24 V AC or 12 V DC) <Smoke Dome Type>
 WV-CW244F (24 V AC or 12 V DC) <Clear Dome Type>



Cost effective Vandal Resistant Fixed Dome Camera

Key Features

- High resolution: 480 TV lines
- High sensitivity: 1.0 lux with clear dome cover at F1.4 (Wide)
- 3.8 ~ 8.0 mm, 2x Varifocal Auto Iris lens
- Internal / Line-lock / Multiplexed Vertical Drive (VD2) synchronization
- Monitor output for easier installation
- IP66 rated water and dust resistant. Compatible with IEC60529 measurement standard.
- Vandal resistant mechanism for high reliability
Die cast aluminum body, 3.5 mm thick polycarbonate dome and a spring mounted lens unit.
- 3-way hinge (horizontal, vertical and swivel rotation) for easy installation
- Various mounting options: Flush mount (F type) or Surface mount (S type) to Ceiling, Wall or Junction box (NTSC only)
- Optional heater maintains operating temperature -30 °C ~ +50 °C (-22 °F ~ +122 °F).

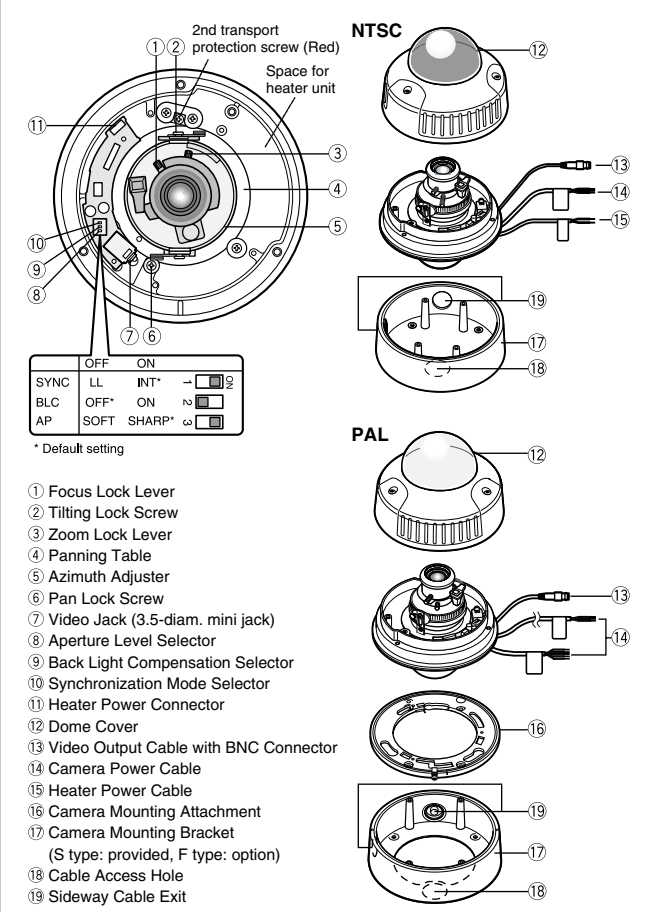
Standard Accessories

- Operating Instructions 1 pc.
- Camera-Bracket screw (M4x10) (WV-CW244S only) 4 pcs.
- Attachment-Bracket screw (M4x10) (WV-CW240S only) 4 pcs.
- The followings are for installation.
- Tamperproof screw bit 1 pc.
- Camera mounting bracket (supplied only for WV-CW240S/244S)... 1 pc.

Optional Accessories

Mount Bracket for WV-CW244F WV-Q112 (NTSC only) WV-Q113 (PAL only)		Heater Unit WV-CW3H	
Clear Dome Cover WV-CW2C (NTSC only)		Smoke Dome Cover WV-CW2S (PAL only)	

Part Names and Functions



NTSC

PAL

* Default setting

OFF	ON		
SYNC	LL	INT*	→ [] 2
BLC	OFF*	ON	→ []
AP	SOFT	SHARP*	→ []

- Focus Lock Lever
- Tilting Lock Screw
- Zoom Lock Lever
- Panning Table
- Azimuth Adjuster
- Pan Lock Screw
- Video Jack (3.5-diam. mini jack)
- Aperture Level Selector
- Back Light Compensation Selector
- Synchronization Mode Selector
- Heater Power Connector
- Dome Cover
- Video Output Cable with BNC Connector
- Camera Power Cable
- Heater Power Cable
- Camera Mounting Attachment (S type: provided, F type: option)
- Camera Mounting Bracket
- Cable Access Hole
- Sideway Cable Exit

Specifications

TV System	NTSC	PAL		
Type	WV-CW244S: Surface mount type WV-CW244F: Flush mount type	WV-CW240S: Surface mount type		
Camera	Image Sensor	1/3 inch interline transfer CCD		
	Effective Pixels	768 (H) x 494 (V)	752 (H) x 582 (V)	
	Scanning Mode	2:1 interlace scan		
	Scanning Area	4.8 (H) x 3.6 (V) mm		
	Scanning Frequency	Horizontal: 15.734 kHz	Horizontal: 15.625 kHz	
		Vertical: 59.94 Hz	Vertical: 50 Hz	
	Scanning Line	525 lines	625 lines	
	Horizontal Resolution	480 TV lines		
	Minimum Illumination	Color (30IRE): 2.4 lux at F1.4	Color (30IRE): 1.0 lux at F1.4	
		Will be same as PAL spec with WV-CW2C optional clear dome cover		
	Signal-to-Noise Ratio	50 dB (Equivalent to AGC Off, Weight On)		
	White Balance	ATW		
	Light Control	ALC / ELC (only when monitor output is used)		
AGC	Always ON			
Lens Mount	CS-mount			
Back Focus Adjustment	Manual			
Synchronization	Internal (INT), Multiplexed Vertical Drive (VD2), Line-Lock (LL)			
Lens	Focal Length	3.8 ~ 8.0 mm, 2x varifocal		
	Angular Field of View	H: 35.6° (Tele) ~ 73.6° (Wide)		
		V: 26.6° (Tele) ~ 53.4° (Wide)		
	Maximum Aperture Ratio	1:1.4 (Wide) 1:1.8 (Tele)		
Focusing Range	1.2 m (3.9 ft.) ~ ∞			
Pan and Tilt	Panning Range	±175°		
	Tilting Range	±75° Image tilt adjustment range: ±160°		
Input / Output	Video Output	1.0 V [p-p] / NTSC composite 75 Ω / BNC Connector Multiplexed VD2 capable	1.0 V [p-p] / PAL composite 75 Ω / BNC Connector Multiplexed VD2 capable	
	Monitor Output	1.0 V [p-p] / 75 Ω / NTSC composite signal / ø3.5 mm mini jack	1.0 V [p-p] / 75 Ω / PAL composite signal / ø3.5 mm mini jack	
General	Setup Method	Dip SW: Sync mode, BLC, Aperture		
	Safety/EMC Standard	UL (6500), FCC (Part15 ClassA), C-UL (E60065), DOC (ICES003 ClassA)	CE (EN60065, EN55022 ClassB, EN55024), GOST (GOST R 51558)	
		Power Source and Power Consumption	24 V AC 60 Hz, 3.0 W, 12.1 W*, 12 V DC 265 mA**	WV-CW240S: 220 ~ 240 V AC 50 Hz, 4.1 W, 13 W* WV-CW244F: 24 V AC 50 Hz, 3.0 W, 12.1 W*, 12 V DC 265 mA**
	Ambient Operating Temperature	-10 °C ~ +50 °C (14 °F ~ 122 °F), -30 °C ~ +50 °C (-22 °F ~ 122 °F)*		
	Ambient Operating Humidity	90 % or less (without condensation)		
	Water and Dust Resistance	IP66, Compatible with IEC60529 measurement standard		
	Dimensions	WV-CW244S: ø160 mm x 140.5 mm (ø6-5/16" x 5-9/16") WV-CW244F: ø152.5 mm x 137 mm (ø6" x 5-3/8")	WV-CW240S: ø160 mm x 161 mm (ø6-5/16" x 6-5/16") WV-CW244F: ø154 mm x 160.5 mm (ø6-1/16" x 6-5/16")	
		Weight (approx.)	WV-CW244S: 1.7 kg (3.8 lbs.) WV-CW244F: 1.2 kg (2.7 lbs.)	WV-CW240S: 2.1 kg (4.62 lbs.) WV-CW244F: 1.4 kg (3.08 lbs.)

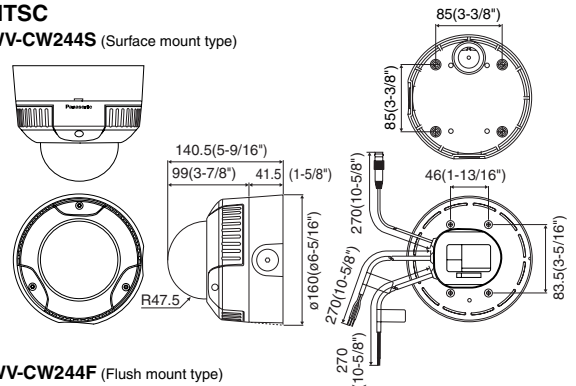
* With optional Heater Unit WV-CW3H

** Optional Heater Unit WV-CW3H cannot be used under 12 V DC operation

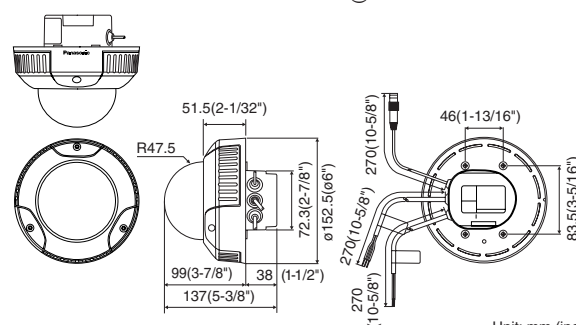
Appearance

NTSC

WV-CW244S (Surface mount type)



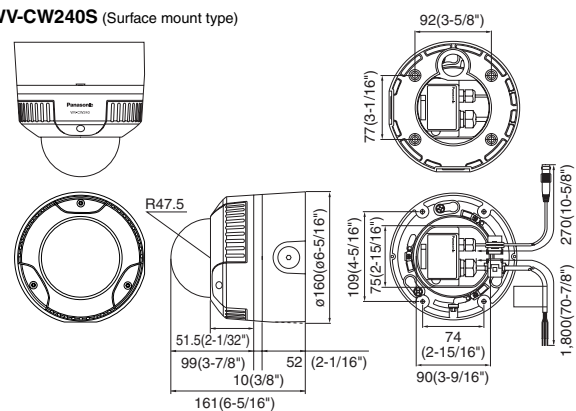
WV-CW244F (Flush mount type)



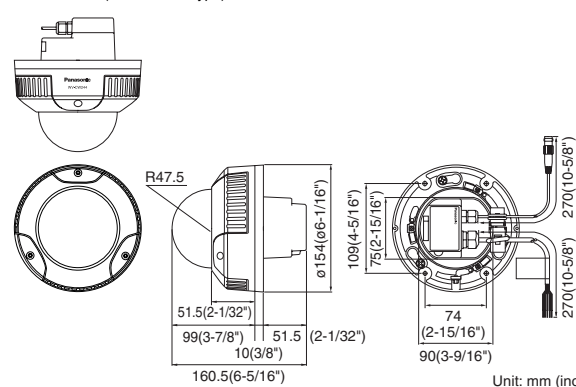
Unit: mm (inches)

PAL

WV-CW240S (Surface mount type)



WV-CW244F (Flush mount type)



Unit: mm (inches)

- All TV pictures are simulated.
- Weights and dimensions are approximate.
- Specifications are subject to change without notice.
- These products may be subject to export control regulations.
- All product pictures are NTSC models.

Important

– Safety Precaution: carefully read the operating instructions and installation manual before using this product.

DISTRIBUTED BY:

Panasonic[®]

<http://panasonic.net/security/>

Printed in Japan (2A-014BL)