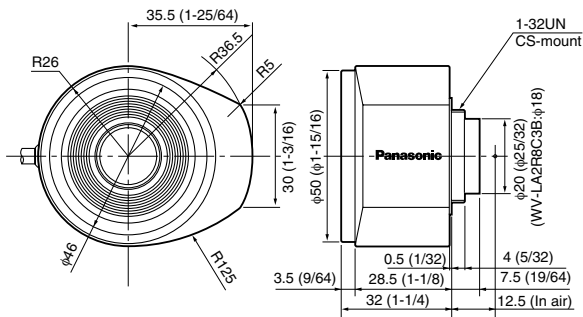


# 1/3-type Automatic Iris Lenses

(For 1/3-type Cameras)

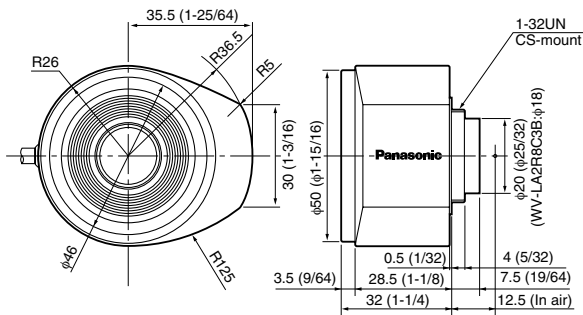
Unit = mm (inches)

## WV-LA2R8C3B



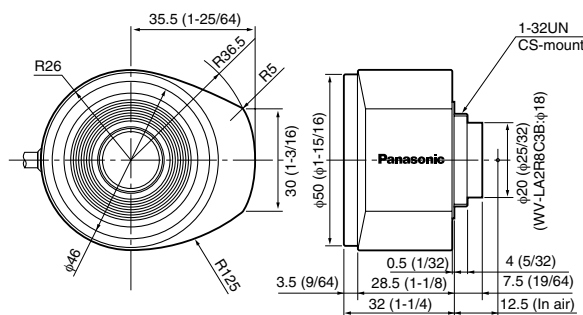
<b>Focal Length</b>	2.8 mm	<b>Minimum Object Distance</b>	Determined by Camera
<b>Aperture Ratio</b>	F1.3 to F176, close	<b>Optical Filter Size</b>	None
<b>Image Size</b>	4.8(H) x 3.6(V) mm (equivalent to 1/3")	<b>Mount</b>	Special C-Mount (CS-Mount, 1-32UN)
<b>Angular Field of View</b>	H 88.6° V 68.6°	<b>Weight</b>	45 g (0.1 lbs.)
<b>Iris Type</b>	Automatic	<b>Dimensions (W x H x D)</b>	ø52 x 31.8 mm (ø2-1/16" x 1-1/4")

## WV-LA4R5C3B



<b>Focal Length</b>	4.5 mm	<b>Minimum Object Distance</b>	Determined by Camera
<b>Aperture Ratio</b>	F1.2 to F176, close	<b>Optical Filter Size</b>	None
<b>Image Size</b>	4.8(H) x 3.6(V) mm (equivalent to 1/3")	<b>Mount</b>	Special C-Mount (CS-Mount, 1-32UN)
<b>Angular Field of View</b>	H 58.7° V 44.2°	<b>Weight</b>	45 g (0.1 lbs.)
<b>Iris Type</b>	Automatic	<b>Dimensions (W x H x D)</b>	ø52 x 31.8 mm (ø2-1/16" x 1-1/4")

## WV-LA9C3B



<b>Focal Length</b>	9 mm	<b>Minimum Object Distance</b>	Determined by Camera
<b>Aperture Ratio</b>	F1.2 to F176, close	<b>Optical Filter Size</b>	None
<b>Image Size</b>	4.8(H) x 3.6(V) mm (equivalent to 1/3")	<b>Mount</b>	Special C-Mount (CS-Mount, 1-32UN)
<b>Angular Field of View</b>	H 30.1° V 22.5°	<b>Weight</b>	40 g (0.1 lbs.)
<b>Iris Type</b>	Automatic	<b>Dimensions (W x H x D)</b>	ø52 x 31.8 mm (ø2-1/16" x 1-1/4")

Unit = mm (inches)