

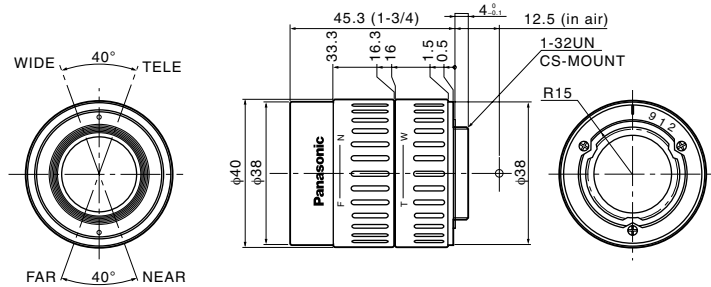
1/3-type Variable Focal Lenses

(For 1/3-type CCD Cameras)

Unit = mm (inches)

WV-LZF61/2

2x Variable Focal
Fixed Iris Lens



Focal Length	3.8 - 8 mm	Iris Type	Fixed
Aperture Ratio	F1.4 (Wide) to F1.8 (Tele)	Minimum Object Distance	Adjusted by camera
Image Size	4.8(H) x 3.6(V) mm (ø6 mm)	Optical Filter Size	None
Angular Field of View	H 35.6° (Tele) 73.6° (Wide) V 26.5° (Tele) 53.4° (Wide)	Mount	Special C-Mount (CS-Mount, 1-32UN)
		Weight	53 g (0.12 lbs.)
		Dimensions (W x H x D)	ø40 x 49.3 mm (ø1-9/16" x 1-15/16")

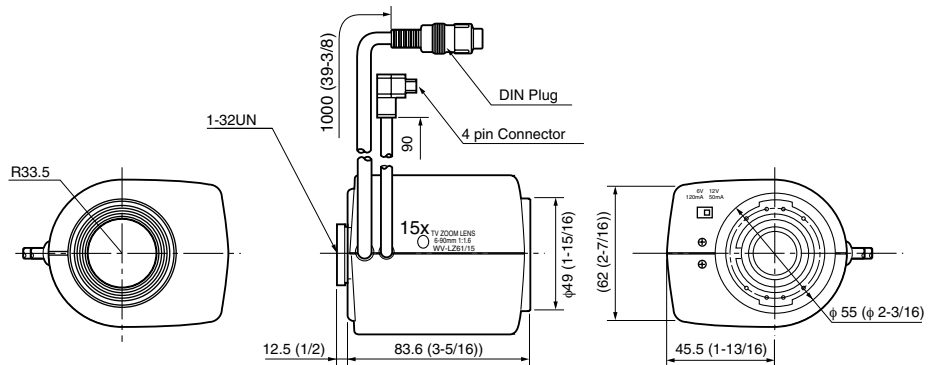
1/3-type Zoom Lens

(For 1/3-type CCD Cameras)

Unit = mm (inches)

WV-LZ61/15

15x Zoom Lens



Focal Length	6 - 90 mm (15x)	Dimensions (W x H x D)	79 x 67 x 87 mm (3-1/8" x 2-5/8" x 3-7/16")	Pin Configuration	1. Common 2. Not Used 3. Focus 4. Zoom
Aperture Ratio	F1.6 (Wide) to F176, close F2.6 (Tele) to F176, close	Control Voltage	±6 to ±12V DC (Accept, Wide Voltage)		
Image Size	4.8(H) x 3.6(V) mm (equivalent to 1/3")	Polarity	Zoom: (+) Tele (-) Wide Focus: (+) Near (-) Far	Operating Speed	Zoom: Approx. 7 sec. at ±6 - ±12V DC Focus: Approx. 7.5 sec. at ±6 - ±12V DC
Angular Field of View	H 3.2° (Tele) 44.4° (Wide) V 2.4° (Tele) 33.6° (Wide)	Zoom and Focus Control			
Iris Type	Automatic	Focus Control	Far 120mA at -6 - -12V DC Near 120mA at +16 - +12V DC		
Minimum Object Distance	2.0 m (6.6 ft.)	Zoom Control	Wide 120mA at -6 - -12V DC Tele 120mA at +16 - +12V DC		
Optical Filter Size	M46 mm, P = 0.75 mm				
Mount	Special C-Mount (CS-Mount, 1-32UN)				
Weight	260 g (0.57 lbs.)				

Note: Zoom or focus speed can not be changed even if the control voltage will be varied. (±6V - ±12V)