



## Megapixel MPEG-4/JPEG dual streaming network camera

### Key Features

- MPEG-4/JPEG digital signal output at VGA image size with up to 30 ips
- MPEG-4 and JPEG dual stream output for simultaneous real time monitoring and high resolution recording
- Progressive output provides clear images, even when the subject is moving.
- High sensitivity with Day/Night function: 1.0 lux (Color), 0.06 lux (B/W) at F1.4. IR cut filter switches on/off to enhance the sensitivity in B/W mode.
- Adaptive Digital Noise Reduction: Integration of 2D-DNR and 3D-DNR ensures noise reduction in various conditions.
- Electronic sensitivity enhancement: Auto (Up to 10x) / Manual (Up to 32x)
- Electronic shutter: Up to 1/10,000 sec.
- VMD (Video Motion Detector) with 4 programmable detection areas and 3 sensitivity levels.
- Up to 8 Privacy zones
- Auto Image Stabilizer for applications where vibration or wind is a concern.
- Flexible digital zoom and pan/tilt operation: Up to 5x variable digital zoom and pan/tilt can be set in the setup menu or controlled by a system controller (effective both for analog and network video). 2x or 4x digital zoom and pan/tilt can be controlled by the browser GUI for network video.
- Internal / Multiplexed Vertical Drive (VD2) synchronization
- Camera title displays: Up to 16 (OSD) and 20 (on browser) alphanumeric characters
- SD Memory card slot for alarm recording and backup upon network failure. Recorded data can be downloaded by using FTP command.
- ABF (Auto Back Focus) ensures easy installation and stable focus in both color and B/W modes.
- Alarm sources including Terminal input, VMD and Panasonic alarm command can trigger actions including SD memory recording/FTP image transfer, E-mail notification, Alarm indication, Terminal output and Panasonic protocol output.
- Built-in microphone for audio (1-way)
- Built-in network interface (10Base-T / 100Base-TX)

- Multiscreen: Images from 8 cameras can be displayed in 2 separate Quad screens (JPEG only). 20 characters camera title is available for each camera.
- FTP client function enables periodic image data transfer or transfer upon alarm.
- Alarm e-mail notification
- Max. bit rate/client for MPEG-4 (64 / 128 / 256 / 512 / 1,024 / 1,536 / 2,048 / 3,072 / 4,096 kbps) and Total bit rate control (64 / 128 / 256 / 512 / 1,024 / 2,048 / 4,096 kbps / 10 Mbps / Unlimited) allowing flexible network management.
- Supported Protocol: TCP/IP, UDP/IP, HTTP, RTP, FTP, SMTP, DHCP, DNS, DDNS, NTP, SNMP
- Multi-language GUI and setup menu: English, French, Italian, Spanish, German, Russian, Chinese (PAL) / English, French (NTSC) \* Installation required except for English

### Standard Accessories

• CD-ROM* .....	1 pc.	The following is for the installation.
• Operating Instructions (English version) .....	1 pc.	• Cord label .....
• ALC lens connector cap .....	1 pc.	1 pc.
• Power cord (only for the WV-NP1000) .....	1 pc.	* The IP setting software, the viewer software and the network operating instructions (PDF) are included on the CD-ROM.

### Optional Accessory

1/3 inch High Resolution 2x Varifocal Lens  
**WV-LZA62/2**  
(2.8 ~ 6 mm)  
F1.4 (Wide)  
F2.1 (Tele)



# Specifications

TV System	NTSC	PAL
<b>Camera</b>		
Image Sensor	1/3 inch Progressive / Interline transfer compatible CCD	
Effective Pixels	Full scanning mode: 1,296 (H) x 966 (V) Partial scanning mode: 960 (H) x 720 (V)	
Scanning Mode	Full scanning mode: Progressive with interlace conversion for analog output. Partial scanning mode: 2:1 interlace with motion adaptive progressive conversion for network output.	
Scanning Area	Full scanning mode: 4.8 mm (H) x 3.6 mm (V) Partial scanning mode: 3.6 mm (H) x 2.7 mm (V)	
Analog Scanning Frequency	Horizontal: 15.734 kHz, Vertical: 59.94 Hz	Horizontal: 15.625 kHz, Vertical: 50 Hz
Analog Scanning Line	525 lines	
Analog Horizontal Resolution	Full scanning mode: H: 600 TV Lines (color), 780 TV Lines (B/W) Partial scanning mode: H: 540 TV Line (color), 570 TV Lines (B/W)	
Analog Vertical Resolution	Full scanning mode: 450 TV Lines Partial scanning mode: 400 TV Lines	
Minimum Illumination	Color (30IRE): 1.0 lux (Sens up: OFF), 0.1 lux (Sens up: 10x) at F1.4 B/W (10IRE): 0.06 lux (Sens up: OFF), 0.006 lux (Sens up: 10x) at F1.4	
S/N Ratio	50 dB (AGC: OFF, Weight: ON)	
White Balance	ATW1 / ATW2 / AWC	
Light Control	ALC / ALC+ / ELC	
BLC	8 x 6 mask areas	
AGC	ON (LOW, MID, HIGH) / OFF	
Electronic Shutter	1/30*, 1/50*, 1/60, 1/100, 1/250, 1/500, 1/1,000, 1/2,000, 1/25*, 1/50, 1/60*, 1/120, 1/250, 1/500, 1/1,000, 1/2,000, 1/4,000, 1/10,000 *Only for Full scanning mode	
Electronic Sensitivity UP	OFF / AUTO (2x / 4x / 6x / 10x*) / FIX (2x / 4x / 6x / 10x* / 16x* / 32x*) *Only for Partial scanning mode	
Digital Noise Reduction	High / Low, 2D / 3D adaptive DNR	
Resolution Mode	Full / Partial	
Black and White Mode	Mode: AUTO1 / AUTO2 / EXT / ON / OFF, Level: High / Low, Wait time: 10 sec ~ 5 min	
Digital Zoom	Up to 5x variable with digital pan/tilt. Set by setup menu or system controller. (when this zoom is used, image on the browser is also zoomed)	
Video Motion Detector	4 areas, Sensitivity High / Mid / Low	
Privacy Zone	Up to 8 zone	
Back Focus Adjustment	ABF / MANUAL, ABF mode on CL / BW switch: AUTO / PRESET / FIX	
Auto Image Stabilizer	ON / OFF	
Camera Title	Up to 16 characters ON / OFF	
OSD Setup Menu	English	
Lens Mount	CS-mount	
Synchronization	Internal (INT), Multiplexed Vertical Drive (VD2)	
<b>Browser GUI</b>		
Camera Control	Pan / Tilt / Zoom (by digital zoom), Brightness, AUX ON/OFF	
Display Mode	Spot, Quad: Image from 8 cameras can be displayed in 2 different Quad screens (JPEG only). 20 characters camera title available.	
Digital Zoom	2x, 4x, By browser	
Camera Title	Up to 20 alphanumeric characters	
Clock Display	Time: 12H / 24H, Date: 5 formats on the browser, Summer time (Manual)	
Alarm Control	Reset	
One Shot Capture	A still picture is displayed on a newly opened window.	
Audio	ON / OFF	
GUI / Setup Menu Language	English, French (Installation required for French)	English, French, Italian, Spanish, German, Russian, Chinese (Installation required except for English)
System Log	Up to 100 (Internal), Up to 4,000 (SD memory) error logs	
Supported OS	Microsoft® Windows Vista® Business 32 bit, Microsoft® Windows® XP Home/Professional SP2, Microsoft® Windows® 2000 Professional SP4 The language of the OS must be same as selected GUI language.	
Supported Browser	Windows® Internet Explorer® 7.0 (Microsoft® Windows Vista® Business 32 bit), Microsoft® Internet Explorer® 6.0 SP2 (Microsoft® Windows® XP Home/Professional SP2), Microsoft® Internet Explorer® 6.0 SP1 (Microsoft® Windows® 2000 Professional SP4)	
<b>Network</b>		
Network IF	10Base-T / 100Base-TX, RJ45 connector	
Image Resolution	Full scanning mode: JPEG : 1,280 x 960, VGA (640 x 480), QVGA (320 x 240) MPEG-4 ; VGA (640 x 480), QVGA (320 x 240) Partial scanning mode: JPEG : 960 x 720, VGA (640 x 480), QVGA (320 x 240) MPEG-4 ; VGA (640 x 480), QVGA (320 x 240)	
Image Compression	MPEG-4: Image quality: LOW / NORMAL / FINE, Transmission type: UNICAST / MULTICAST JPEG: Image quality: 10 steps, Transmission type: PULL / PUSH MPEG-4 and JPEG dual streaming, JPEG multi-resolution supported.	
Image Refresh Rate	0.1 ips ~ 30 ips (Frame rate of JPEG will be limited when transmitting JPEG and MPEG-4 simultaneously)	
Audio Compression	G.726 (ADPCM) 32 kbps / 64 kbps	
Total Bit Rate	64 / 128 / 256 / 512 / 1,024 / 2,048 / 4,096 kbps / 10 Mbps / Unlimited	
Max. Bit Rate / Client (MPEG-4)	64 / 128 / 256 / 512 / 1,024 / 1,536 / 2,048 / 3,072 / 4,096 kbps	
Supported Protocol	TCP/IP, UDP/IP, HTTP, RTP, FTP, SMTP, DHCP, DNS, DDNS, NTP, SNMP	
FTP Client	Alarm image transfer, FTP Periodic transfer	
No. of Simultaneous Users	8 (Depends on network conditions)	
SD Memory Card (Option)	Alarm REC / Backup upon network failure. Compatible SD card: Panasonic 64 MB, 128 MB, 256 MB, 512 MB, 1 GB, 2 GB model	
Alarm E-mail	Up to 4 e-mail addresses	
User Registration	Up to 16 users	
User/Host Level	3 Levels: Administrator, Camera control, Live only	
Security Measures	User authentication (ID 32 digit, PW 32 digit), Host authentication (IP address)	
<b>Alarm</b>		
Alarm Source	VMD, Command alarm, Terminal input	
Alarm Actions	SD memory recording/FTP image transfer, e-mail notification, Terminal output, Indication on browser, Panasonic protocol output	
<b>Input / Output</b>		
Video Output	1.0 V [p-p] / NTSC composite 75 Ω / BNC / 1.0 V [p-p] / PAL composite 75 Ω / BNC / Multiplexed VD2 and control data capable Multiplexed VD2 and control data capable	
External I/O Terminals	DAY/NIGHT IN x1, Alarm IN x1, Alarm OUT x1, AUX OUT x1	
Microphone	Built-in Microphone	

### Trademarks and registered trademarks

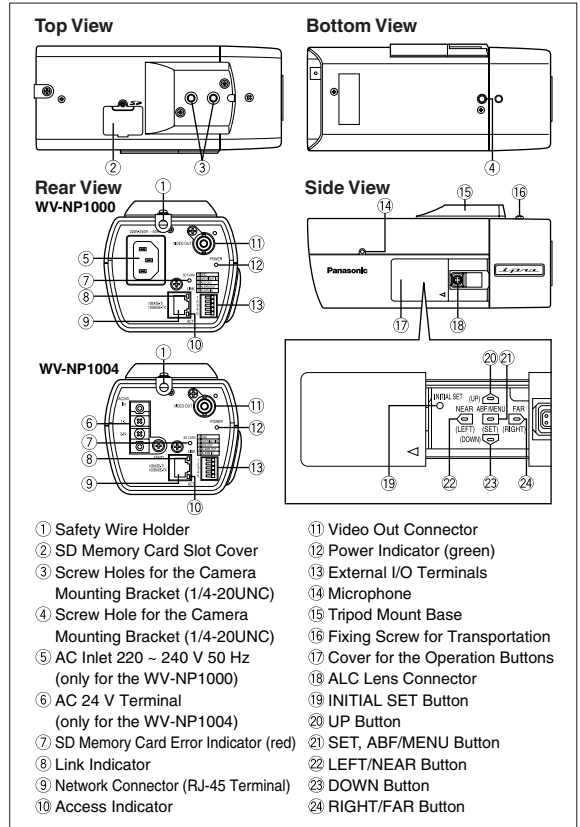
– Microsoft, and Windows are registered trademarks of Microsoft Corporation in the U.S. and other countries.  
– “Super Dynamic”, “SDII”, “SDIII” and “i-Pro” logos are trademarks or registered trademarks of Panasonic Corporation.

### Important

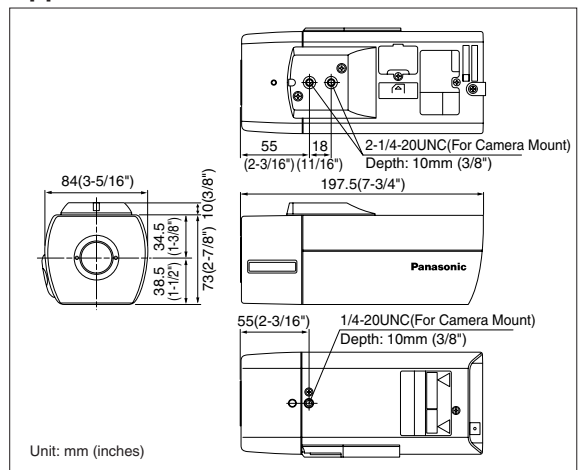
– Safety Precaution: carefully read the operating instructions and installation manual before using this product.  
– Panasonic can not be responsible for network performance and/or other manufacturer products that reside on the network.

TV System	NTSC	PAL
<b>General</b>		
Safety/EMC Standard	UL (6500, FCC (Part15 ClassA), C-UL (CAN/CSA C22.2 No.E60065), DOC (ICES003 ClassA)	CE (EN60065, EN55022 ClassB, EN55024), GOST (GOST R 51558)
Power Source / Consumption	24 V AC, 60 Hz 9.5 W	WV-NP1000: 220 ~ 240 V AC 50 Hz 10.5 W WV-NP1004: 24 V AC 50 Hz 9.5 W
Ambient Operating Temperature	–10 °C ~ +50 °C (14 °F ~ 122 °F)	
Ambient Operating Humidity	Less than 90 % (without condensation)	
Dimensions	84 mm x 83 mm x 197.5 mm (3-5/16" x 3-1/4" x 7-3/4")	
Weight	Approx. 0.97 kg (2.1 lbs.)	

## Part Names and Functions



## Appearance



- All TV pictures are simulated.
- Weights and dimensions are approximate.
- Specifications are subject to change without notice.
- These products may be subject to export control regulations.
- All product pictures are NTSC models.

DISTRIBUTED BY:

**Panasonic**

<http://panasonic.net/security/>

Printed in Japan (2A-008AL)